

# Kinetics LV (low voltage 0,07kW-375kW)

Electric motors for standard and heavy duty operations-powerfull, efficient and flexible

Technical datasheet



SOLUTIONS FOR INDUSTRY



SOLUTIONS FOR INDUSTRY

## Datasheet for three-phase motors

Motor type: 1LC200L-8, 15 kW

### Electrical data

Power 50Hz (kW)	15,00
Power 60Hz (kW)	18,00
Frequency (Hz)	50/60
Voltage 50Hz (V)	380-420/660-720
Voltage 60Hz (V)	380-480/690-830
Voltage / frequency tolerance (invalid at range voltage)	Range B
Type of winding	$\Delta/Y$
Number of poles	8
Efficiency 100% 50Hz (%)	86,2
Efficiency 100% 60Hz (%)	86,2
Power factor	0,76
Starting current ( $I_a / I_n$ )	6,6
Starting torque ( $M_a / M_n$ )	2
Breakdown torque ( $M_k / M_n$ )	2
Rated current 50Hz (A)	34,05/19,17
Rated current 60Hz (A)	34,49/20,00

### General data

Number of phases	3~
Type designation	1LC
Frame size	200
Type	B3
Housing design	L
Housing material	GG
Insulation class	F / B
Terminal box position	top
Terminal box Alignment	0 ° KV to the right
Weight (kg)	225,00
Direction of rotation	right/left
Vibration stage	A
Balancing	half key
Cooling type	IC411
Version according to	IEC 60034-1
Noise limit	IEC 60034-9

### Mechanical data

Torque (Nm)	196,23/196,23
Speed (rpm)	730/876
Bearing (DE side)	6312.ZZ.C3
Bearing (NDE side)	6312.ZZ.C3
Bearing life (h)	20000
Moment of inertia (kgm <sup>2</sup> )	0,339

### Factors

Operation mode	duty interval S1
Ambient temperature (° C)	-20 to +40
Installation height (m)	altitude up to 1000m

### Motor characteristics

Painting	RAL7030
Paint surface	satin gloss
Protection class	IP55
Cable gland size (Cable)	2xM50x1,5
Cable gland size (option)	M20x1,5
Cable gland (type)	standard
Standard shaft end(mm)	55x110
Shaft material	C45

### Additional option

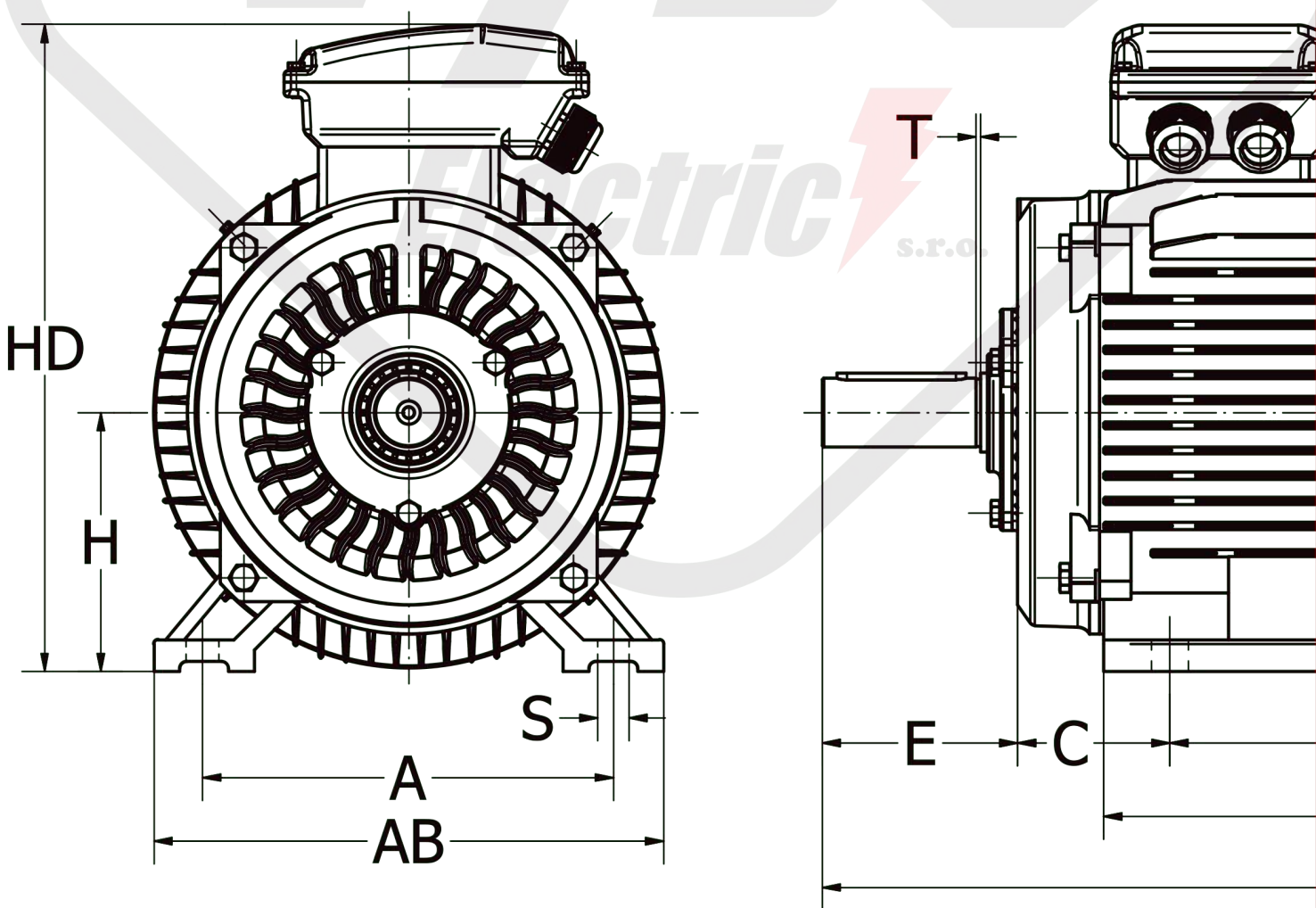
Extra protection	PTC 150°C
------------------	-----------

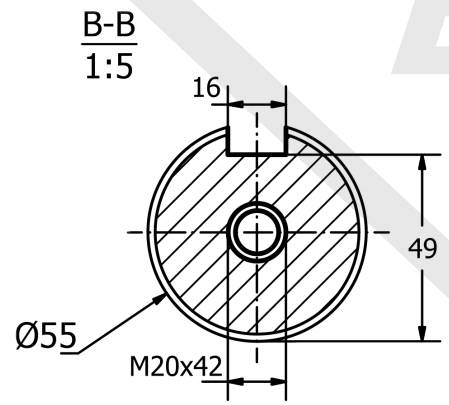
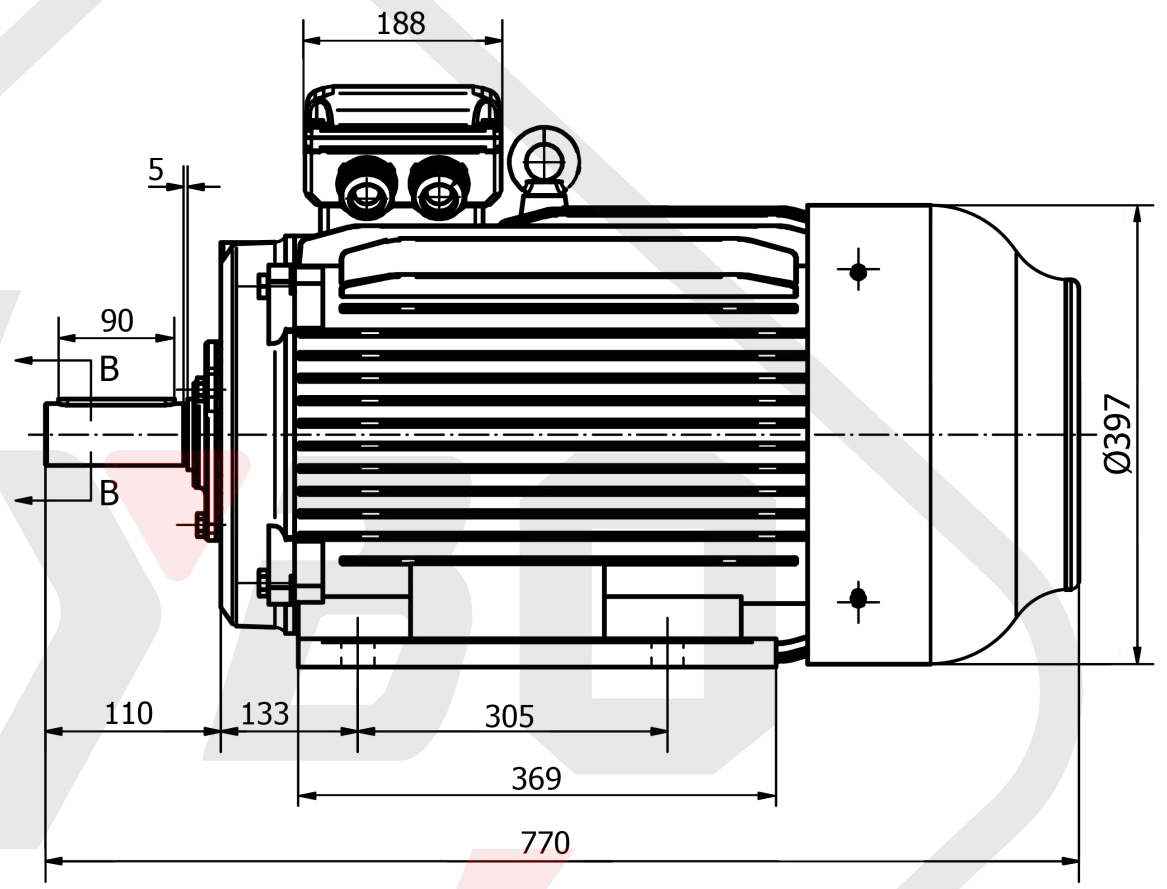
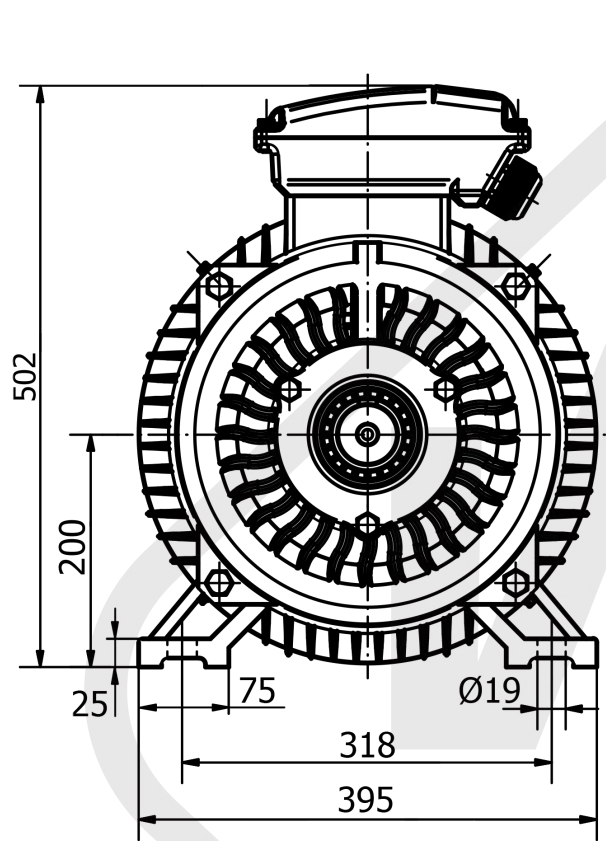
*Low Voltage  
induction motors  
electric motors*

HIGH EFFICIENCY

RELIABLE OPERATION

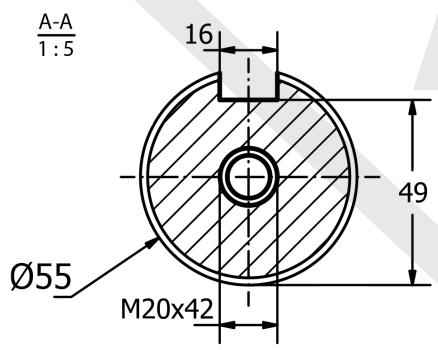
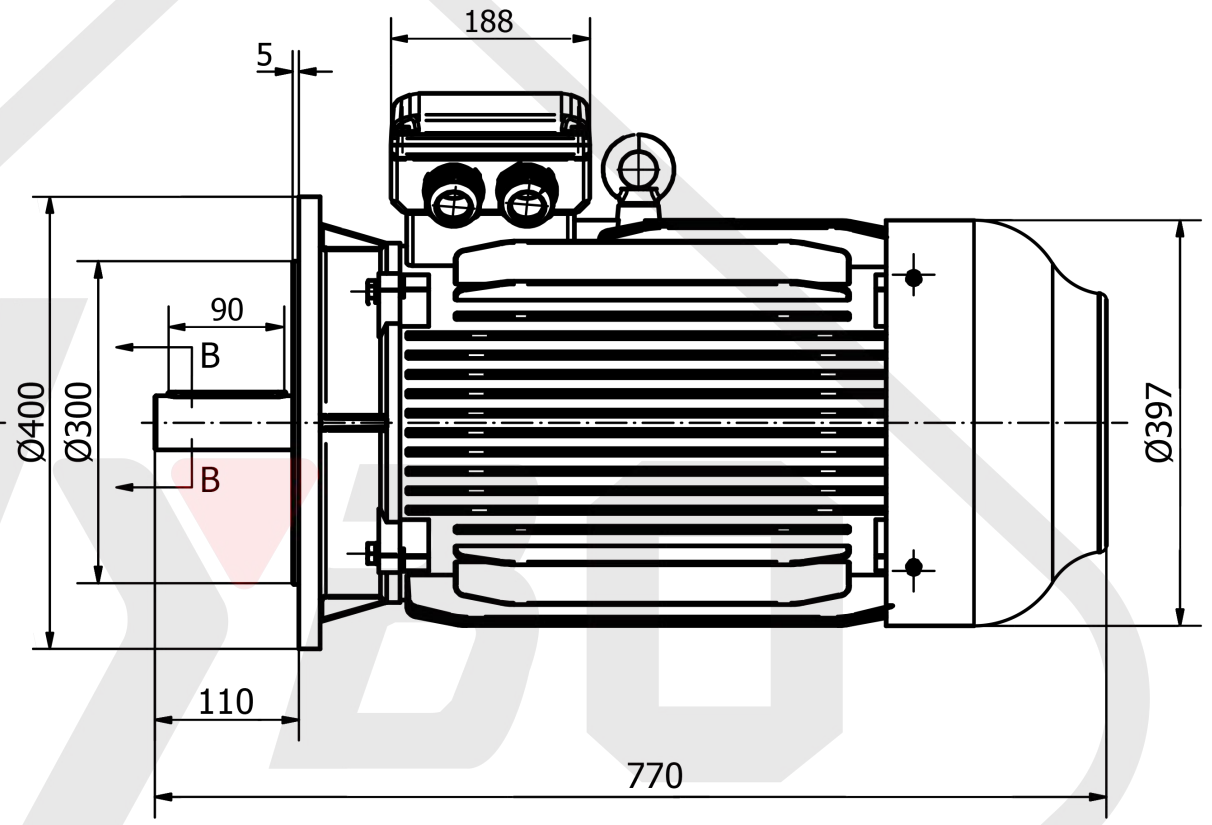
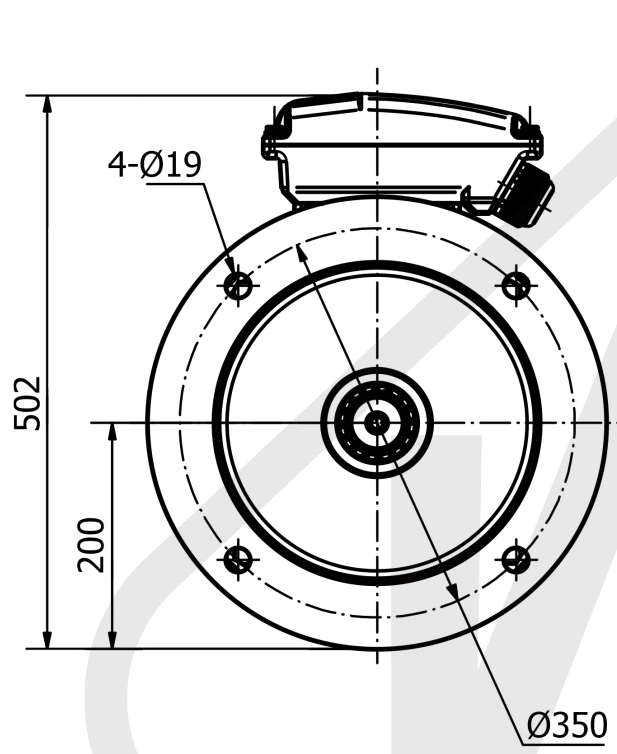
2 LOAD CLASSES





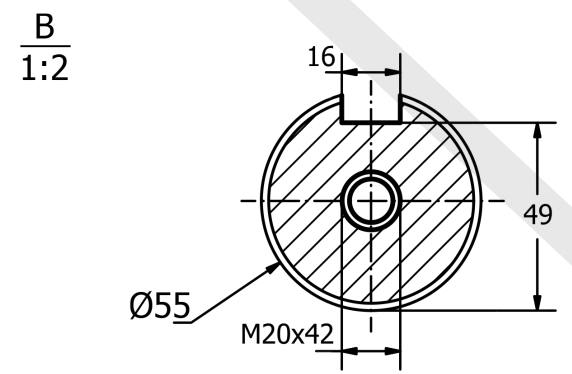
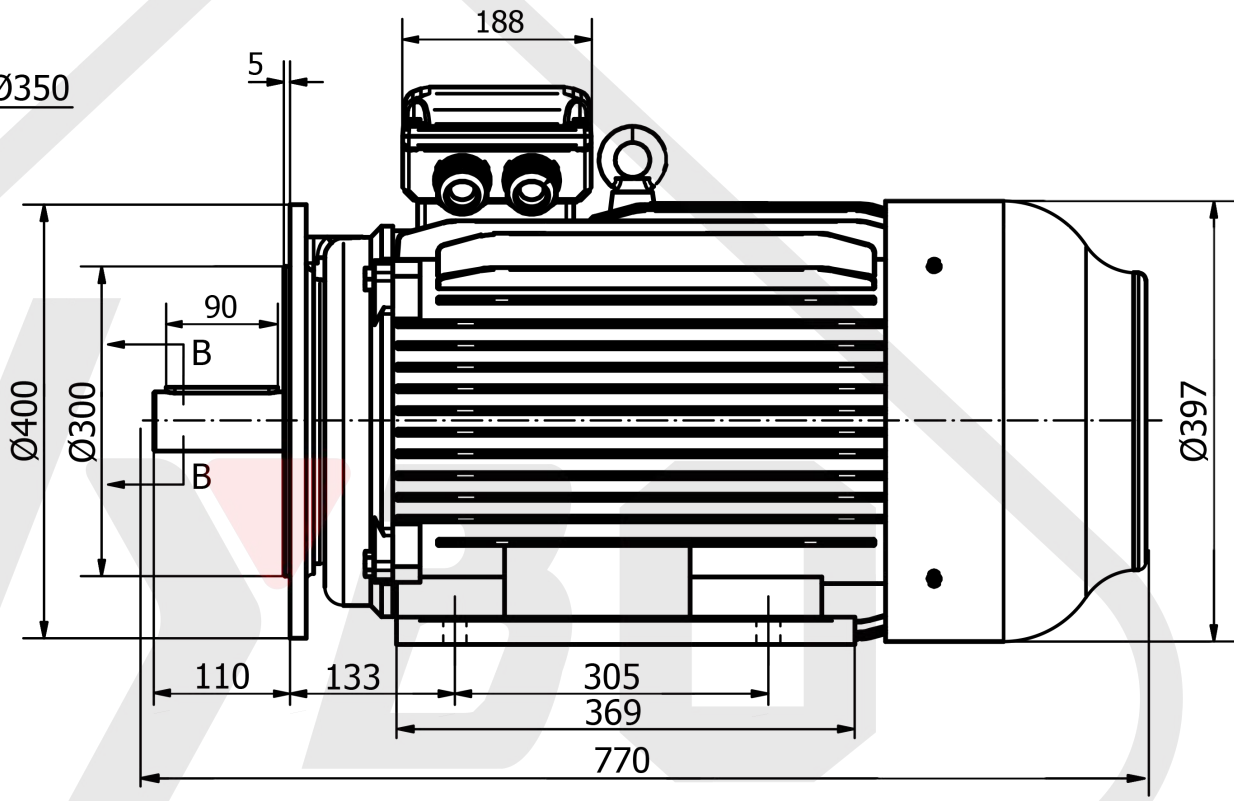
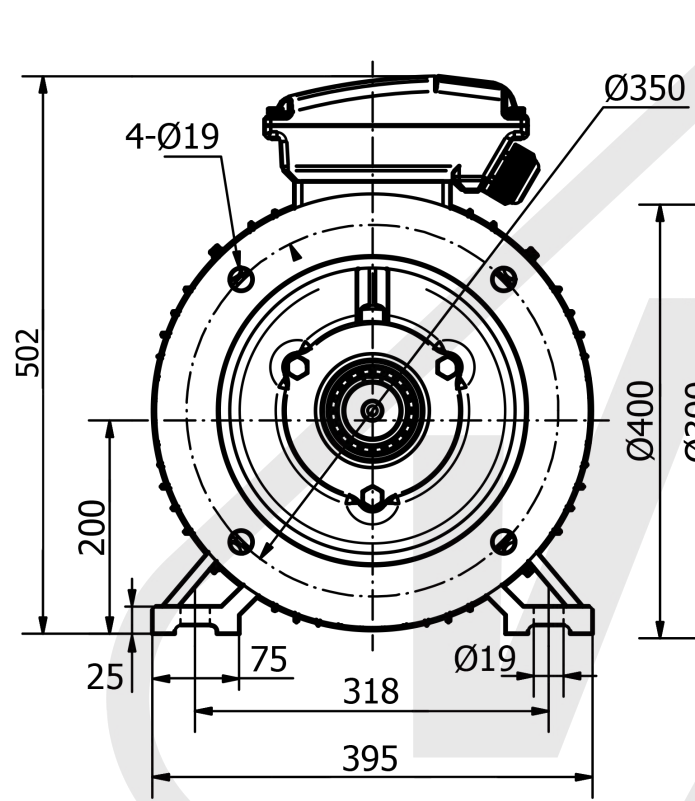
1 LC 200L B3

Electric s.r.o.



Electric s.r.o.

	<p>1 LC 200L B5</p>
--	---------------------



*Electric*  s.r.o.



1LC 200L B35



*Electric*  s.r.o.



- | HIGH EFFICIENCY
- | RELIABLE OPERATION
- | 2 CLASSES OF LOADS

