



# Kinetics LV (low voltage 0,07kW-375kW)

Electric motors for standard and heavy duty operations-powerfull, efficient and flexible

Technical datasheet



SOLUTIONS FOR INDUSTRY



SOLUTIONS FOR INDUSTRY

## Datasheet for three-phase motors

Motor type: 1LC315L02, 200 kW

### Electrical data

Power 50Hz (kW)	200,00
Power 60Hz (kW)	240,00
Frequency (Hz)	50/60
Voltage 50Hz (V)	400/690
Voltage 60Hz (V)	460/795
Voltage / frequency tolerance (invalid at range voltage)	Range B
Type of winding	$\Delta/Y$
Number of poles	2
Efficiency 100% 50Hz (%)	95,0
Efficiency 75% 50Hz (%)	95,4
Efficiency 50% 50Hz (%)	93,1
Efficiency 100% 60Hz (%)	95,4
Efficiency 75% 60Hz (%)	95,4
Efficiency 50% 60Hz (%)	93,1
Power factor	0,92
Starting current (Ia/In)	7,1
Starting torque (Ma/Mn)	2
Breakdown torque (Mk/Mn)	2,2
Rated current 50Hz (A)	330,28/191,47

### General data

Number of phases	3~
Type designation	1LC
Frame size	315
Type	B3
Housing design	L
Housing material	GG
Insulation class	F
Terminal box position	top
Terminal box Alignment	0 ° KV to the right
Weight (kg)	1.194,00
Direction of rotation	right/left
Vibration stage	A
Balancing	half key
Cooling type	IC411
Version according to	IEC 60034-1
Noise limit	IEC 60034-9

### Mechanical data

Torque (Nm)	642,02/642,02
Speed (rpm)	2975/3570
Bearing (DE side)	6317.C3
Bearing (NDE side)	6317.C3
Bearing life (h)	20000
Permissible radial load (X/2) (N)	6525
Permissible radial load (X0) (N)	7000
Permissible radial load (Xmax) (N)	6050
Permissible axial load (N)	5175
Permissible axial load (V1) (N)	2660
Moment of inertia (kgm <sup>2</sup> )	2,5

### Factors

Operation mode	duty interval S1
Ambient temperature (°C)	-20 to +40
Installation height (m)	altitude up to 1000m

### Motor characteristics

Painting	RAL7030
Paint surface	satin gloss
Protection class	IP55
Cable gland size (Cable)	2xM63x1,5
Cable gland size (option)	M20x1,5
Cable gland (type)	standard
Standard shaft end (mm)	65 x 140
Shaft material	C45

### Additional option

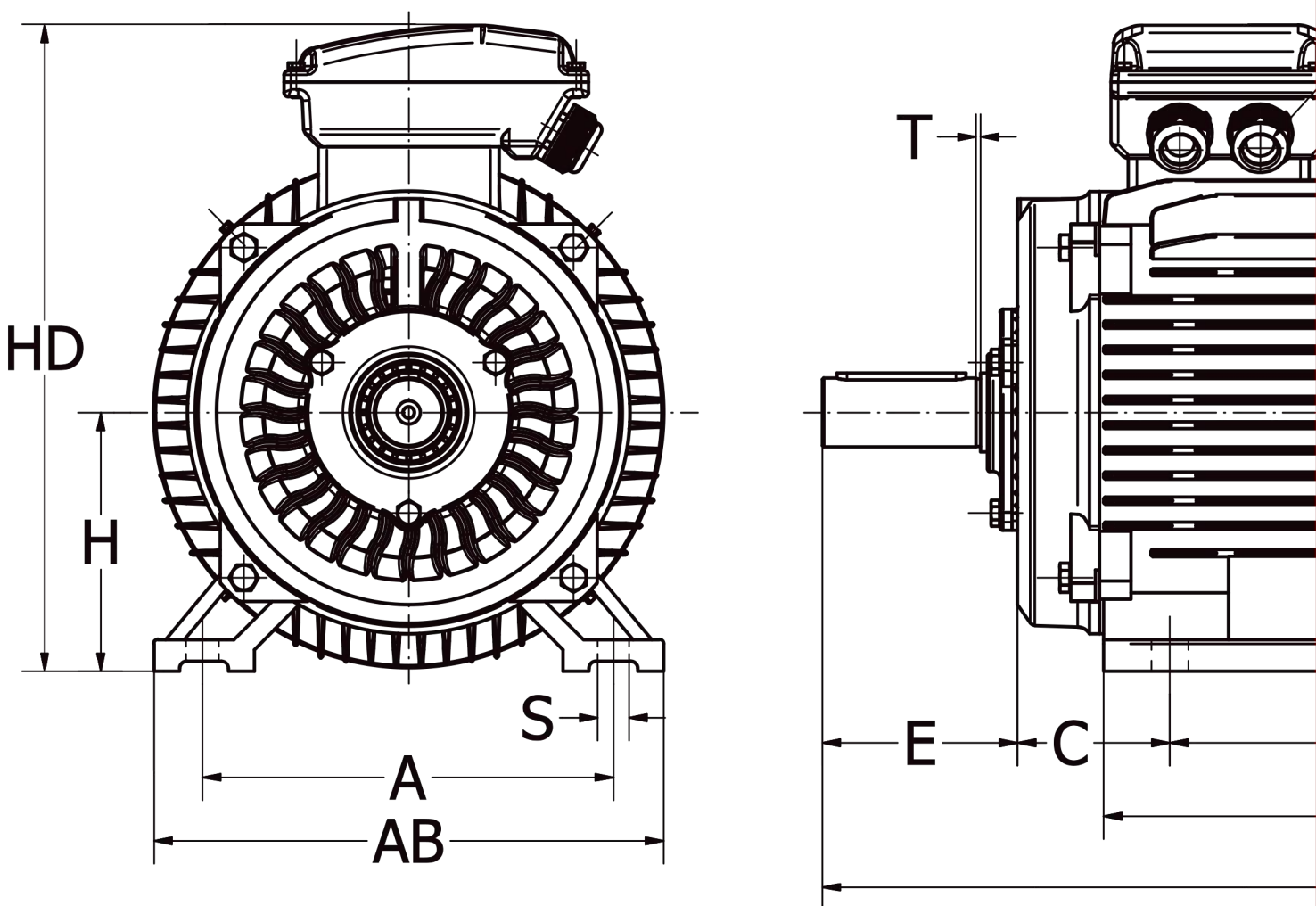
Extra protection	PTC 150°C
Lubrication	AS+BS

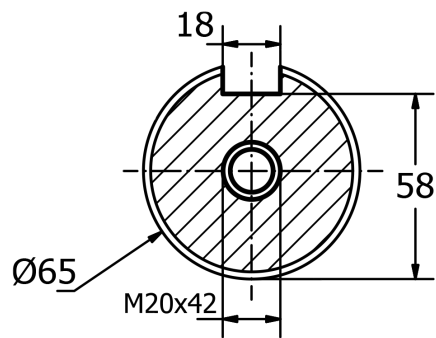
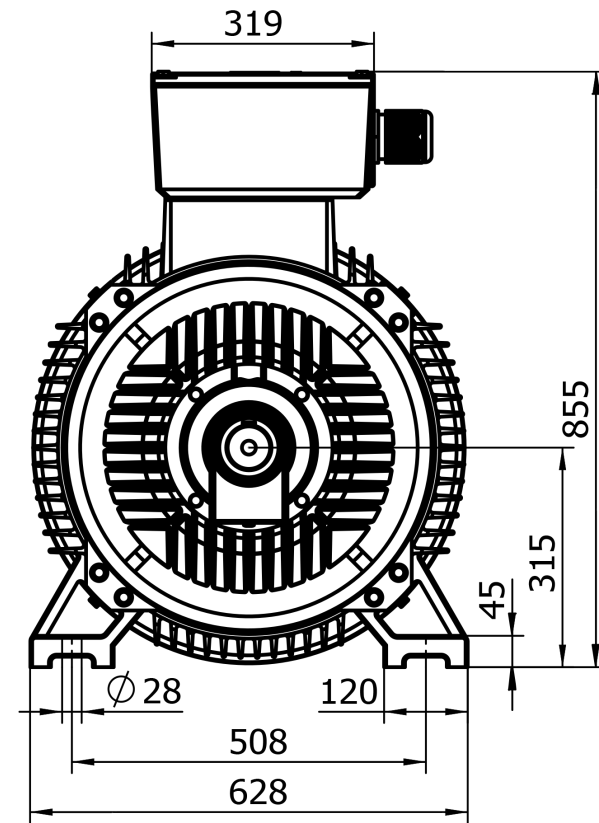
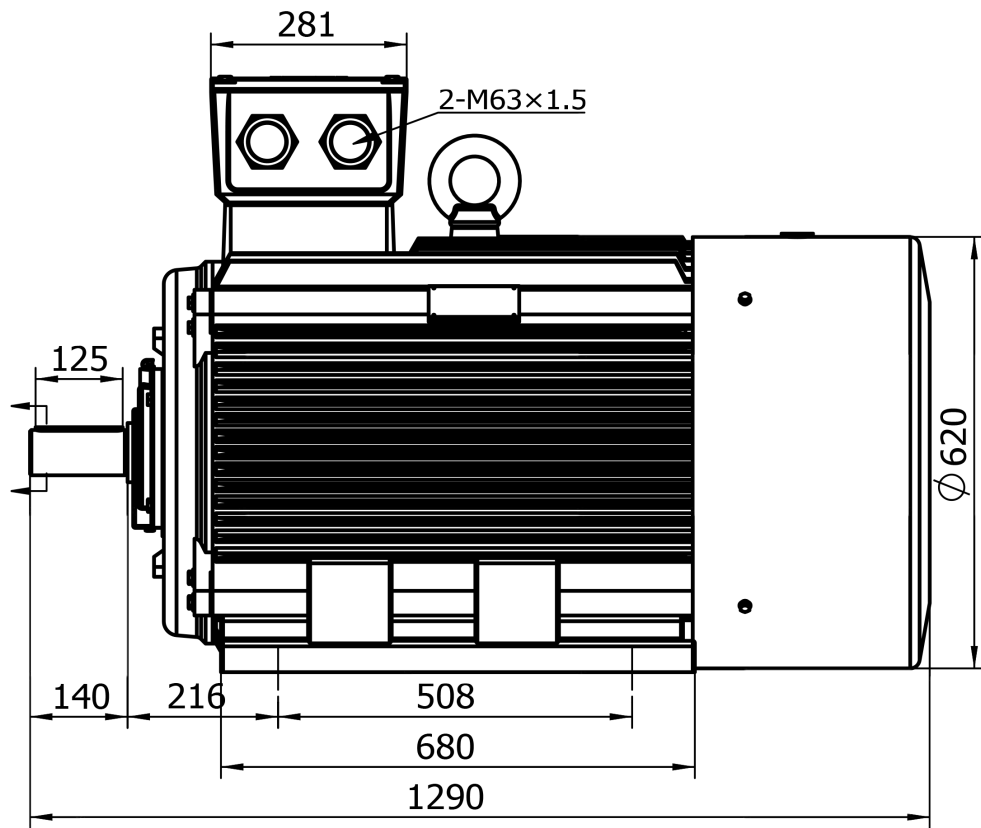
# *Low Voltage induction motors electric motors*

*HIGH EFFICIENCY*

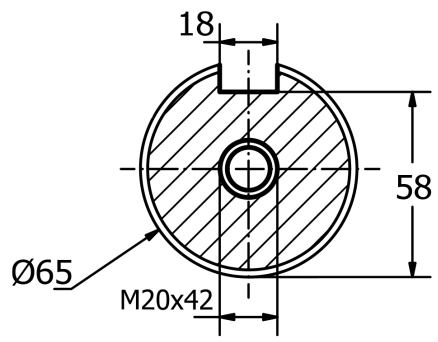
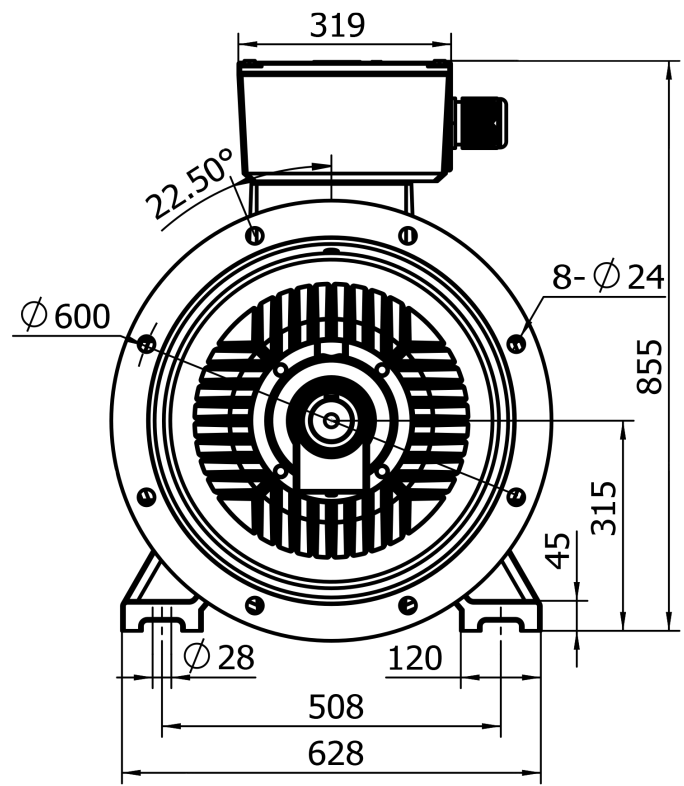
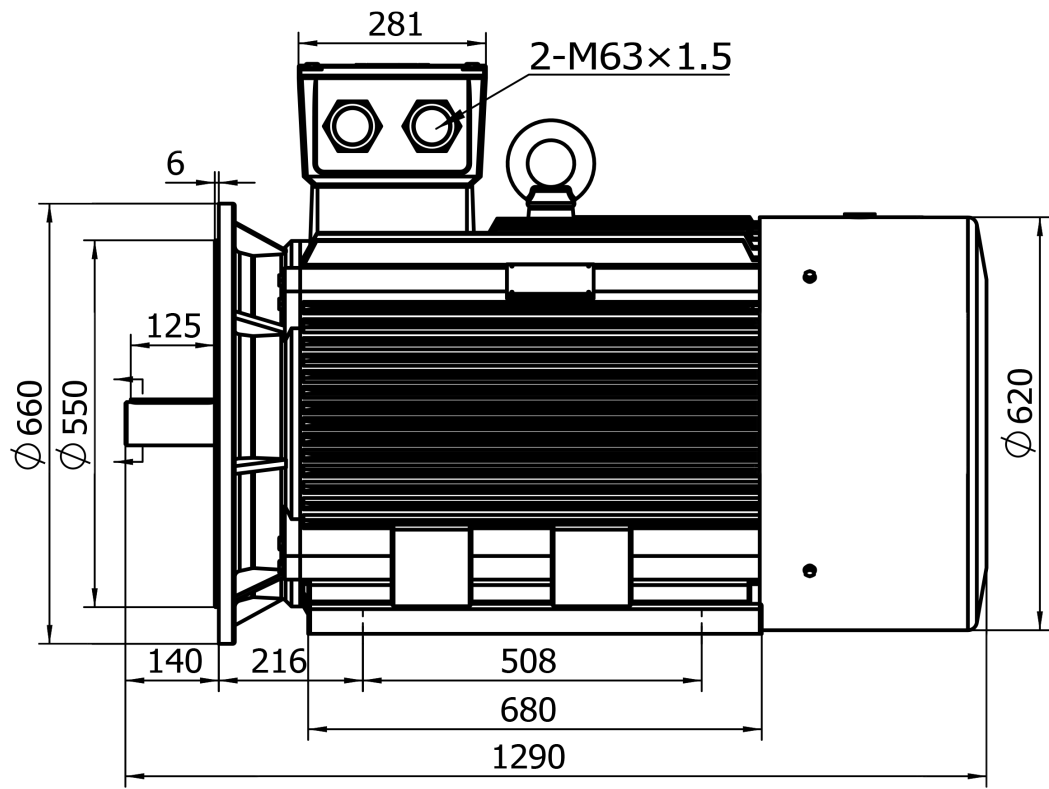
*RELIABLE OPERATION*

*2 LOAD CLASSES*





1LC-315L-2P-B3



**Vybo**  
Electric  
1LC-315L-2P-B35





- | HIGH EFFICIENCY
- | RELIABLE OPERATION
- | 2 CLASSES OF LOADS



