

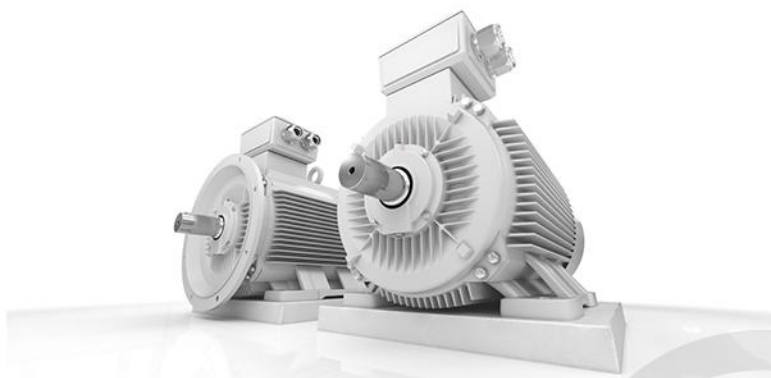
# Kinetics LV (low voltage 0,07kW-375kW)

Electric motors for standard and heavy duty operations-powerfull, efficient and flexible

Technical datasheet



SOLUTIONS FOR INDUSTRY



SOLUTIONS FOR INDUSTRY

## Datasheet for three-phase motors

Motor type: 1LC280S-8, 37 kW

### Electrical data

|  |                 |
|--|-----------------|
| Power 50Hz (kW)  | 37,00           |
| Power 60Hz (kW)  | 44,40           |
| Frequency (Hz)   | 50/60           |
| Voltage 50Hz (V)   | 380-420/660-720 |
| Voltage 60Hz (V)   | 380-480/690-830 |
| Voltage / frequency tolerance (invalid at range voltage) | Range B         |
| Type of winding  | $\Delta/Y$      |
| Number of poles  | 8               |
| Efficiency 100% 50Hz (%)                                 | 88,80           |
| Efficiency 100% 60Hz (%)                                 | 88,80           |
| Power factor   | 0,79            |
| Starting current ( $I_a / I_n$ )                         | 6,6             |
| Starting torque ( $M_a / M_n$ )                          | 1,9             |
| Breakdown torque ( $M_k / M_n$ )                         | 2               |
| Rated current 50Hz (A)                                   | 76,13/44,16     |
| Rated current 60Hz (A)                                   | 79,44/46,07     |

### General data

|                        |                     |
|------------------------|---------------------|
| Number of phases       | 3~                  |
| Type designation       | 1LC                 |
| Frame size             | 280                 |
| Type                   | B3                  |
| Housing design         | S                   |
| Housing material       | GG                  |
| Insulation class       | F / B               |
| Terminal box position  | top                 |
| Terminal box Alignment | 0 ° KV to the right |
| Weight (kg)            | 472,00              |
| Direction of rotation  | right/left          |
| Vibration stage        | A                   |
| Balancing              | half key            |
| Cooling type           | IC411               |
| Version according to   | IEC 60034-1         |
| Noise limit            | IEC 60034-9         |

### Mechanical data

|                                       |               |
|---------------------------------------|---------------|
| Torque (Nm)                           | 480,75/480,75 |
| Speed (rpm)                           | 735/882       |
| Bearing (DE side)                     | 6317.ZZ.C3    |
| Bearing (NDE side)                    | 6317.ZZ.C3    |
| Bearing life (h)                      | 20000         |
| Permissible radial load (X / 2) (N)   | 9812          |
| Permissible radial load (X0) (N)      | 10775         |
| Permissible radial load (Xmax) (N)    | 8850          |
| Permissible axial load (N)            | 9150          |
| Permissible axial load (V1) (N)       | 7630          |
| Moment of inertia (kgm <sup>2</sup> ) | 1,93          |

### Factors

|                           |                      |
|---------------------------|----------------------|
| Operation mode            | duty interval S1     |
| Ambient temperature (° C) | -20 to +40           |
| Installation height (m)   | altitude up to 1000m |

### Motor characteristics

|                           |             |
|---------------------------|-------------|
| Painting                  | RAL7030     |
| Paint surface             | satin gloss |
| Protection class          | IP55        |
| Cable gland size (Cable)  | 2xM63x1,5   |
| Cable gland size (option) | M20x1,5     |
| Cable gland (type)        | standard    |
| Standard shaft end(mm)    | 75x140      |
| Shaft material            | C45         |

### Additional option

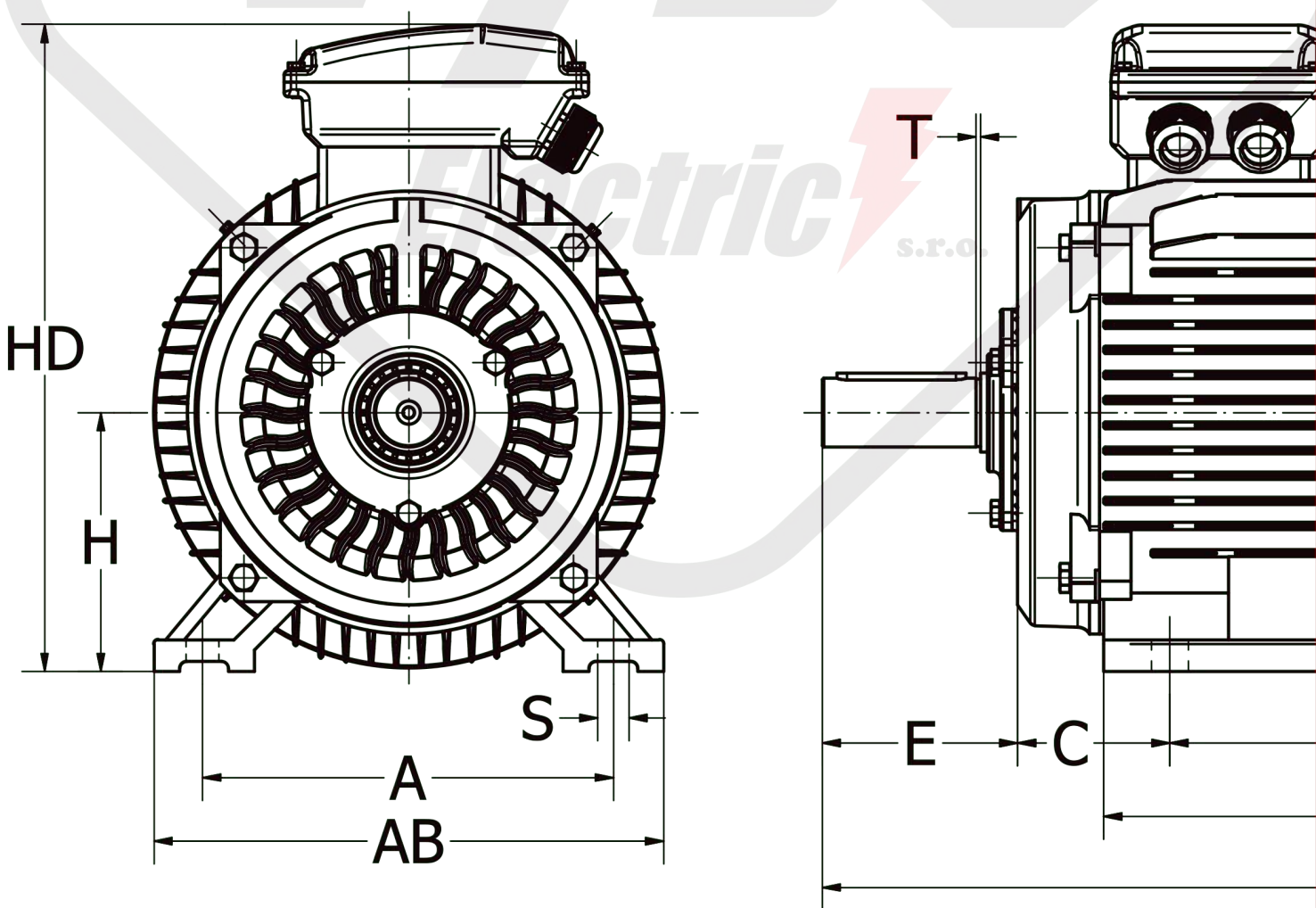
|                  |           |
|------------------|-----------|
| Extra protection | PTC 150°C |
|------------------|-----------|

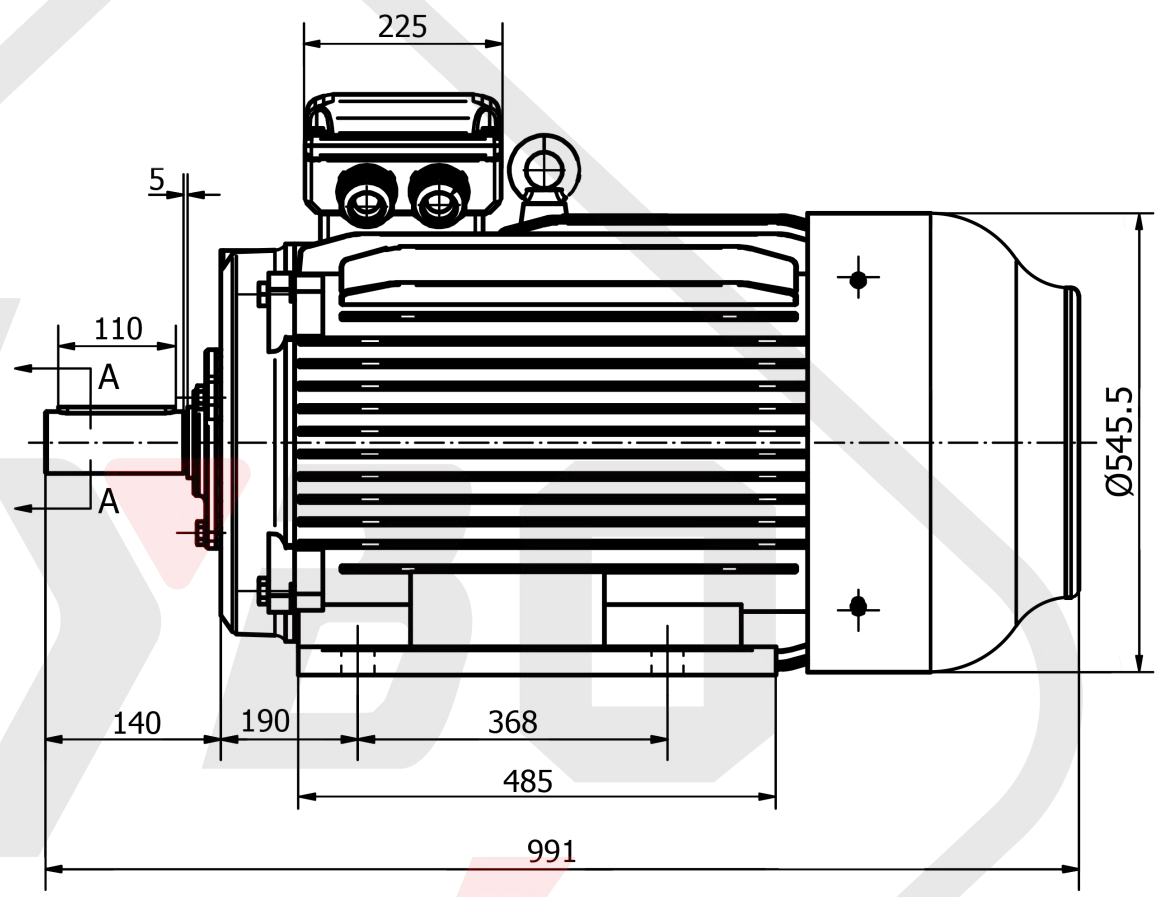
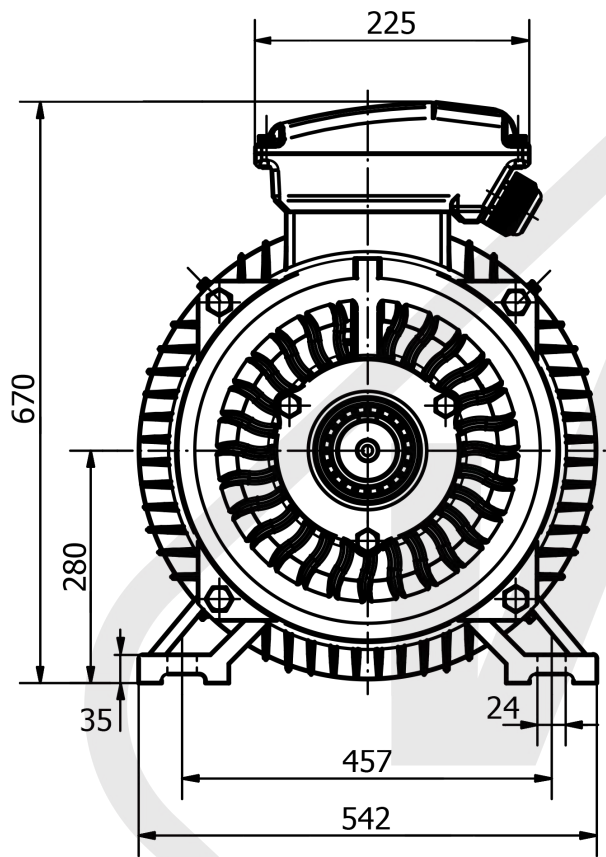
*Low Voltage  
induction motors  
electric motors*

HIGH EFFICIENCY

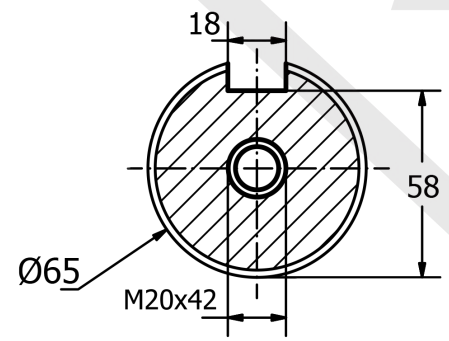
RELIABLE OPERATION

2 LOAD CLASSES





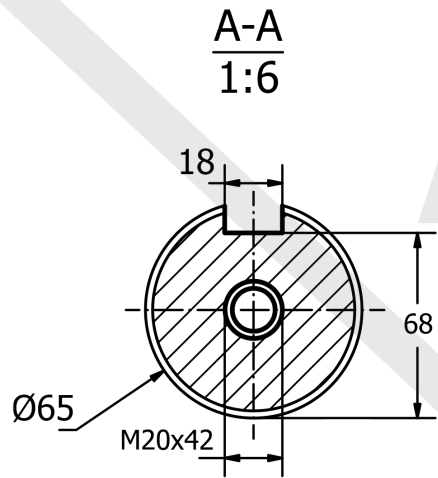
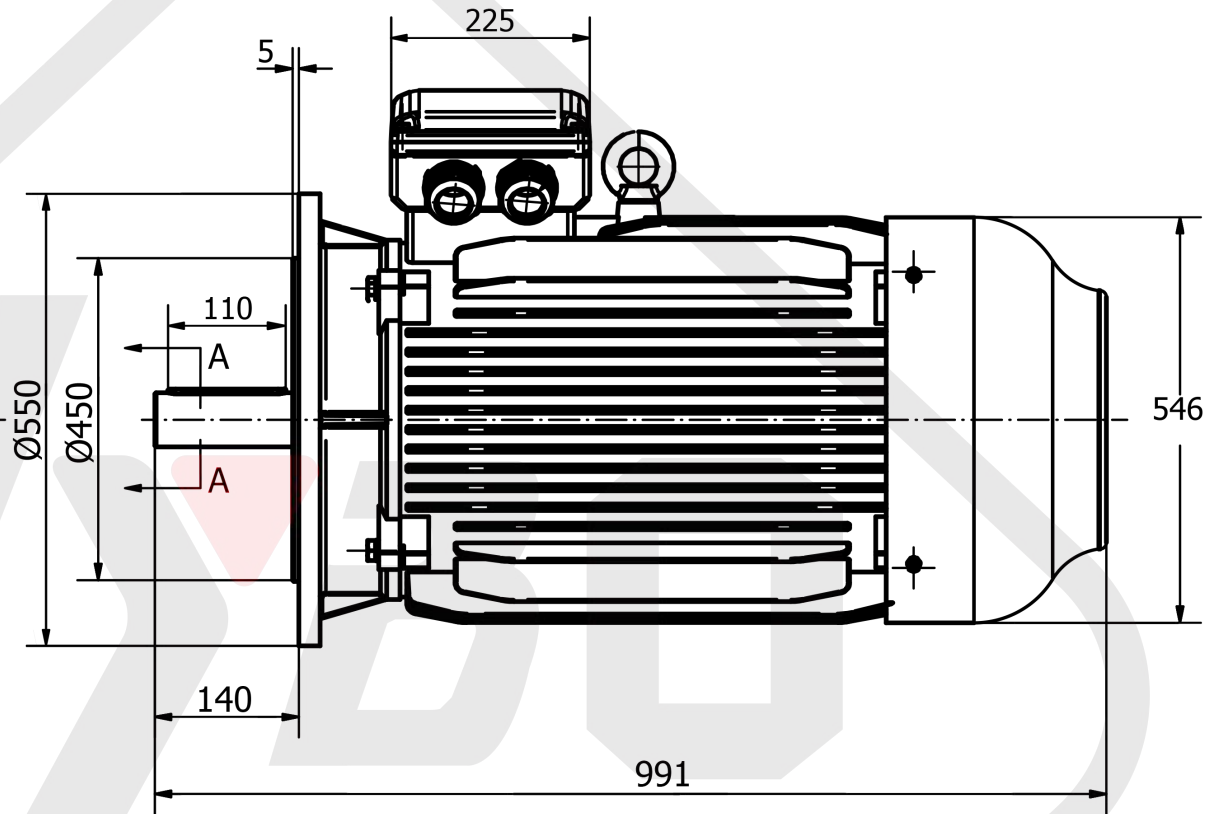
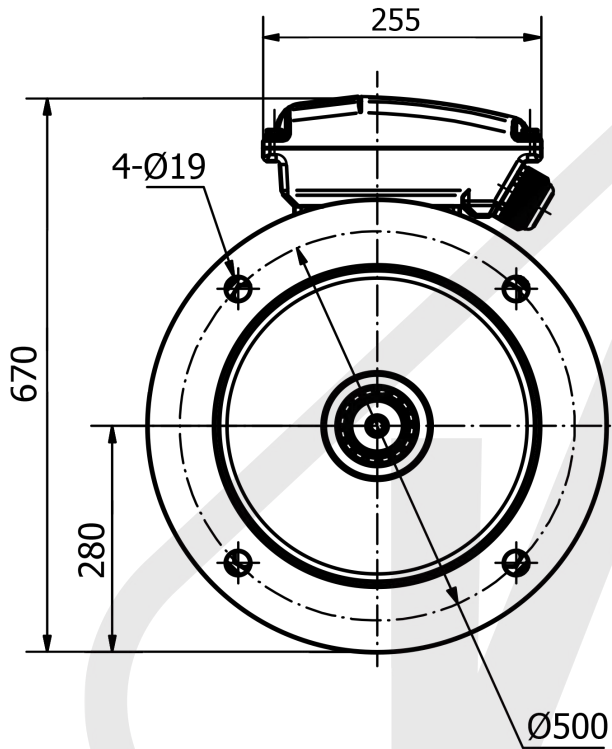
A-A  
1:6



*Electric* s.r.o.



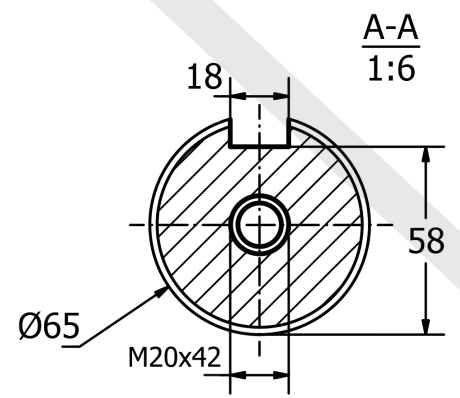
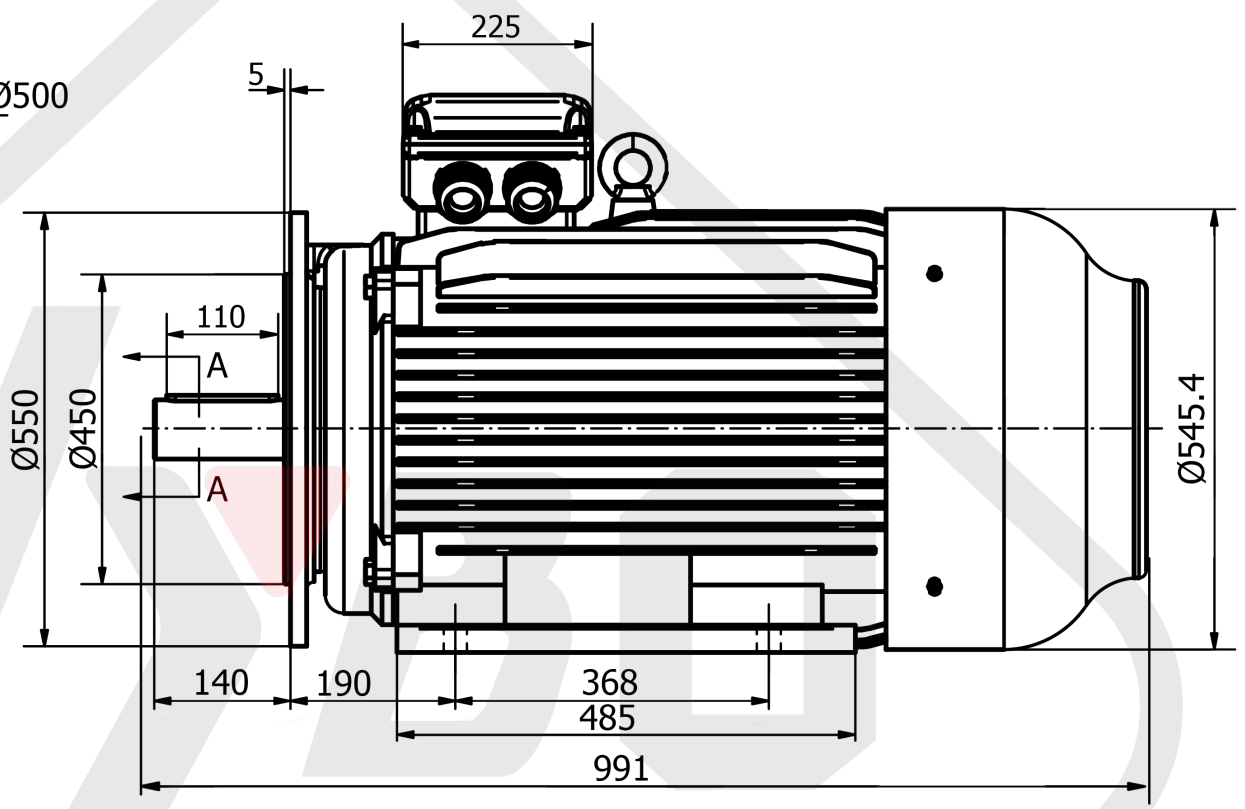
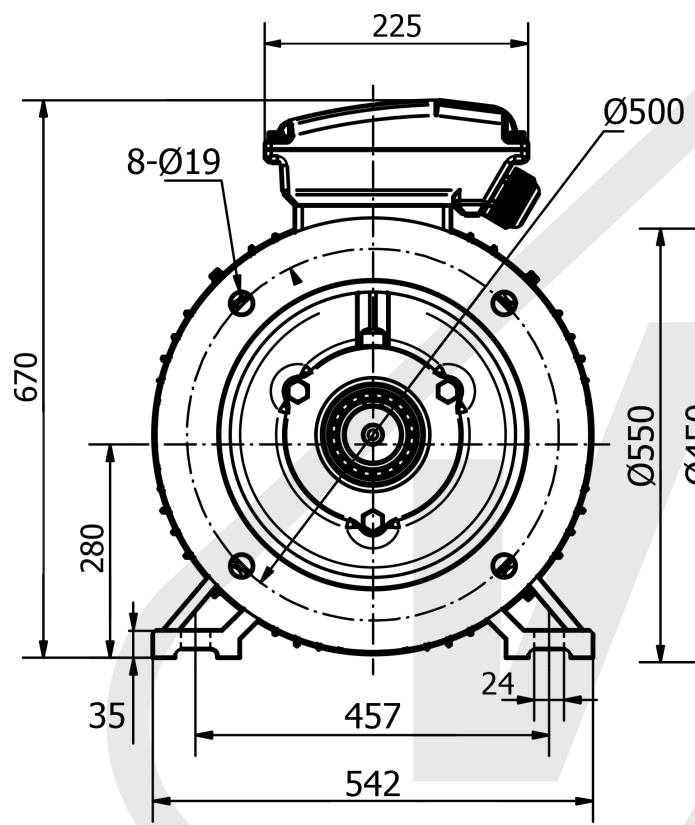
1 LC-280S-B3



*Electric* s.r.o.



1LC-280S-B5



*Electric*  s.r.o.



1LC-280S-B35



*Electric*  s.r.o.



- | HIGH EFFICIENCY
- | RELIABLE OPERATION
- | 2 CLASSES OF LOADS

