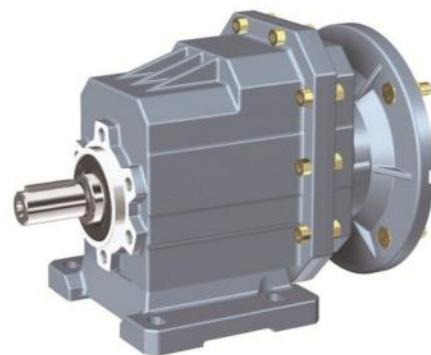


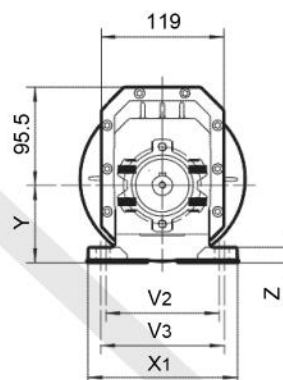
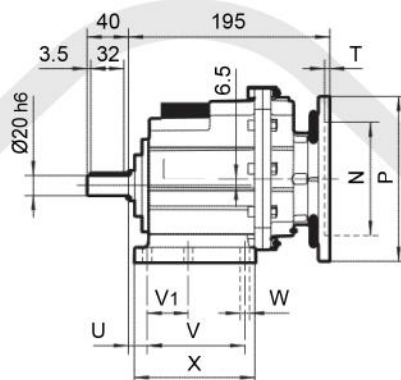
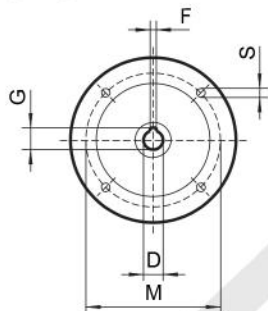
HG ČELNÁ PREVODOVKA HG 01

Rozmerové výkresy



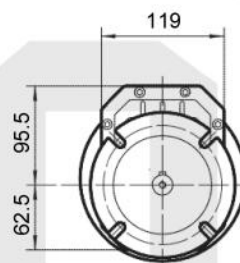
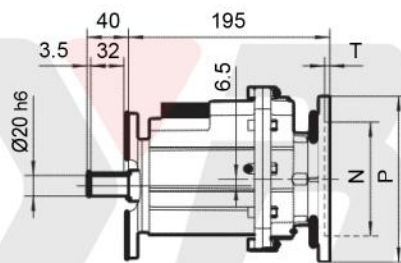
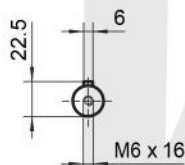
HG01..P(IEC)

VSTUP



HGF01..P(IEC)

VÝSTUP



I

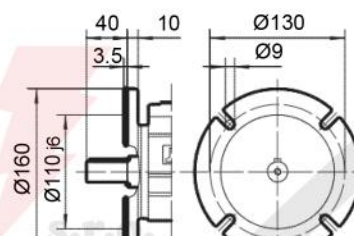
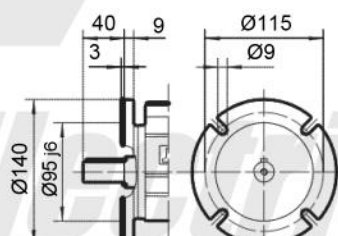
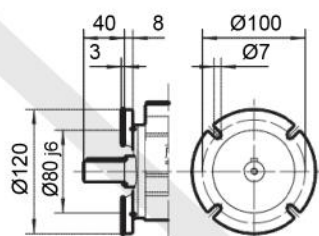
II

III

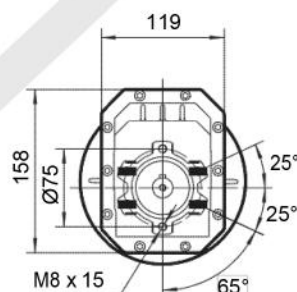
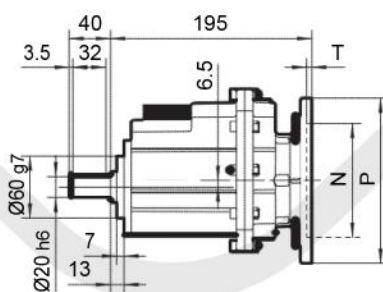
Ø120

Ø140

Ø160



HGZ01..P(IEC)



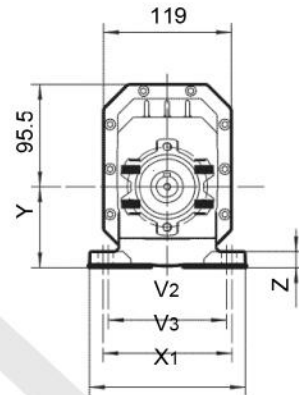
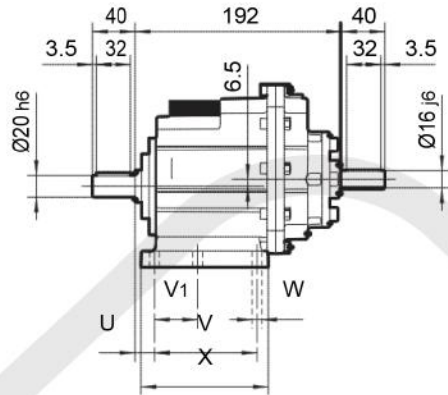
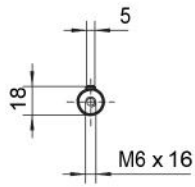
IEC	D	F	G	P	M	N	S	T
63B5	11	4	12.8	140	115	95	9	5
71B5	14	5	16.3	160	130	110	9	5
71B14	14	5	16.3	105	85	70	7	5
80B5	19	6	21.8	200	165	130	11	5
80B14	19	6	21.8	120	100	80	7	5
90B5	24	8	27.3	200	165	130	11	5
90B14	24	8	27.3	140	115	95	9	5

Kód pátky	U	V	V1	V2	V3	W	X	X1	Y	Z
B01	18	87	50	110	—	9	118	130	85	15
M01	18	80	—	110	120	9	118	145	75	15
M02	25	85	—	110	120	9	112	145	75	15
B02	18	107.5	60	—	130	11	136	155	95	17



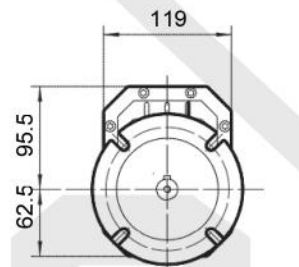
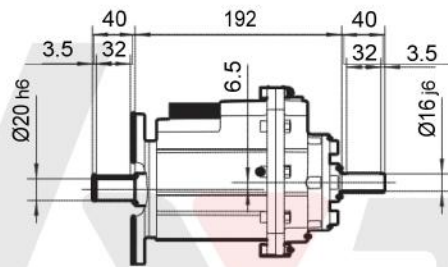
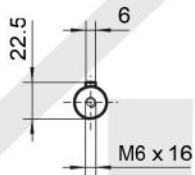
HG01..HS

VSTUP

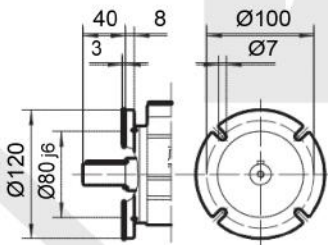


HGF01..HS

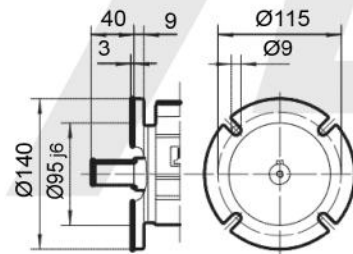
VÝSTUP



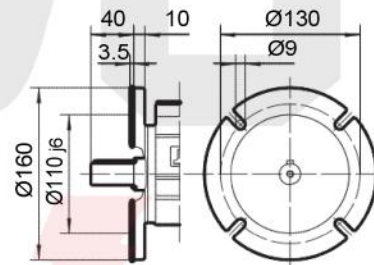
I
Ø120



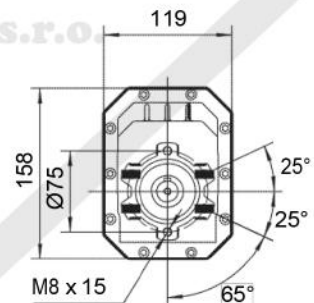
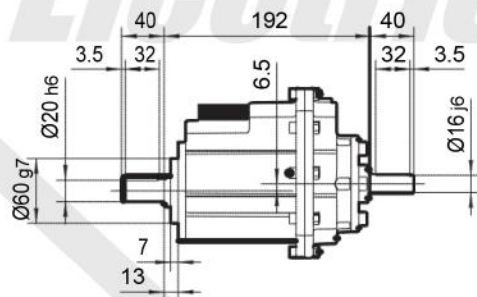
II
Ø140



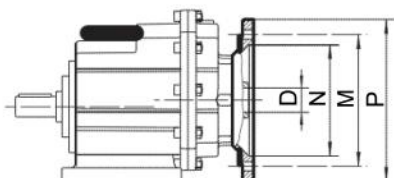
III
Ø160



HGZ01..HS



Kód pätky	U	V	V1	V2	V3	W	X	X1	Y	Z
B01	18	87	50	110	—	9	118	130	85	15
M01	18	80	—	110	120	9	118	145	75	15
M02	25	85	—	110	120	9	112	145	75	15
B02	18	107.5	60	—	130	11	136	155	95	17




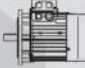
IEC	63B5	71B5	71B14	80B5	80B14	90B5	90B14	100B5	100B14	112B5	112B14
D _{E8}	11	14	14	19	19	24	24	28	28	28	28
P	140	160	105	200	140	200	140	250	160	250	160
M	115	130	85	165	115	165	115	215	130	215	130
N	95	110	70	130	95	130	95	180	110	180	110



Prevodové pomery a vstup pre elektromotor

HG..01..P(IEC)				
i	63B5	71B5 71B14	80B5 80B14	90B5 90B14
53.33				
45.89				
40.10				
35.47				
28.50				
23.56				
19.83				
17.86				
14.62				
13.80*				
11.90				
9.81				
9.17				
7.72				
5.69				
4.63				
3.82				

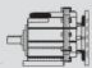
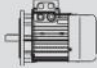
Tabuľka výberu prevodovky

P_{1n} [kW]	n₂ [r/min]	M_{2n} [Nm]	i	fs		
0.12	26.3	42	53.33	2.9	HG01	63B5
	30.5	36	45.89	3.3	HGF01	63B5
	34.9	32	40.10	3.8	HGZ01	63B5
	39.5	28	35.47	4.3		
	49.1	22	28.50	5.4		
	59.4	18.5	23.56	6.5		
	70.6	15.6	19.83	7.7		
	78.4	14.0	17.86	7.1		
	95.8	11.5	14.62	10.4		
	101	10.8	13.80*	9.2		
	118	9.4	11.90	12.8		
	143	7.7	9.81	13.0		
	153	7.2	9.17	11.1		
	181	6.1	7.72	13.2		
	246	4.5	5.69	13.4		
	302	3.6	4.63	16.5		
366	3.0	3.82	20.0			
0.18	16.9	98	53.33	1.2	HG01	71B5
	19.6	84	45.89	1.4	HGF01	71B5
	22.4	74	40.10	1.6	HGZ01	71B5
	25.4	65	35.47	1.8		
	31.6	52	28.50	2.3		
0.18	26.3	63	53.33	1.9	HG01	63B5
	30.5	54	45.89	2.2	HGF01	63B5
	34.9	47	40.10	2.5	HGZ01	63B5
	39.5	42	35.47	2.9		
	49.1	34	28.50	3.6		
	59.4	28	23.56	4.3		
	70.6	23	19.83	5.1		
	78.4	21	17.86	4.8		
	95.8	17.2	14.62	7.0		
	101	16.3	13.80*	6.1		
	118	14.0	11.90	8.6		
	143	11.6	9.81	8.6		
	153	10.8	9.17	7.4		
	181	9.1	7.72	8.8		
	246	6.7	5.69	8.9		
	302	5.5	4.63	11.0		
366	4.5	3.82	13.3			

s.r.o.



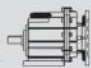
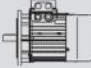
Tabuľka výberu prevodovky

P_{1n} [kW]	n_2 [r/min]	M_{2n} [Nm]	i	f_s			
0.25	16.9	136	53.33	0.88	HG01	71B5/B14	71B5/B14
	19.6	117	45.89	1.0	HGF01	71B5/B14	71B5/B14
	22.4	102	40.10	1.2	HGZ01	71B5/B14	71B5/B14
	25.4	90	35.47	1.3			
	31.6	73	28.50	1.7			
	26.3	87	53.33	1.4	HG01	71B5/B14	71B5/B14
	30.5	75	45.89	1.6	HGF01	71B5/B14	71B5/B14
	34.9	66	40.10	1.8	HGZ01	71B5/B14	71B5/B14
	39.5	58	35.47	2.1			
	49.1	47	28.50	2.6			
	59.4	39	23.56	3.1			
	70.6	32	19.83	3.7			
	78.4	29	17.86	3.4			
	95.8	24	14.62	5.0			
	101	23	13.80*	4.4			
	118	19.5	11.90	6.2			
	143	16.1	9.81	6.2			
	153	15.0	9.17	5.3			
	181	12.6	7.72	6.3			
	246	9.3	5.69	6.4			
302	7.6	4.63	7.9				
366	6.3	3.82	9.6				
0.37	22.4	151	40.10	0.79	HG01	80B5/B14	80B5/B14
	25.4	134	35.47	0.90	HGF01	80B5/B14	80B5/B14
	31.6	107	28.50	1.1	HGZ01	80B5/B14	80B5/B14
	38.2	89	23.56	1.4			
	26.3	129	53.33	0.93	HG01	71B5/B14	71B5/B14
	30.5	111	45.89	1.1	HGF01	71B5/B14	71B5/B14
	34.9	97	40.10	1.2	HGZ01	71B5/B14	71B5/B14
	39.5	86	35.47	1.4			
	49.1	69	28.50	1.7			
	59.4	57	23.56	2.1			
	70.6	48	19.83	2.5			
	78.4	43	17.86	2.3			
	95.8	35	14.62	3.4			
	101	33	13.80*	3.0			
	118	29	11.90	4.2			
	143	24	9.81	4.2			
	153	22	9.17	3.6			
	181	19	7.72	4.3			
	246	14	5.69	4.4			
	302	11	4.63	5.3			
366	9	3.82	6.5				
0.55	31.6	160	28.50	0.75	HG01	80B5/B14	80B5/B14
	38.2	132	23.56	0.91	HGF01	80B5/B14	80B5/B14
	45.4	111	19.83	1.1	HGZ01	80B5/B14	80B5/B14
	34.9	144	40.10	0.8	HG01	80B5/B14	80B5/B14
	39.5	128	35.47	0.9	HGF01	80B5/B14	80B5/B14
	49.1	103	28.50	1.2	HGZ01	80B5/B14	80B5/B14
	59.4	85	23.56	1.4			
	70.6	71	19.83	1.7			
	78.4	64	17.86	1.6			
	95.8	53	14.62	2.3			
	101	50	13.80*	2.0			
	118	43	11.90	2.8			
	143	35	9.81	2.8			
	153	33	9.17	2.4			
	181	28	7.72	2.9			
	246	20	5.69	2.9			
	302	17	4.63	3.6			
	366	14	3.82	4.4			

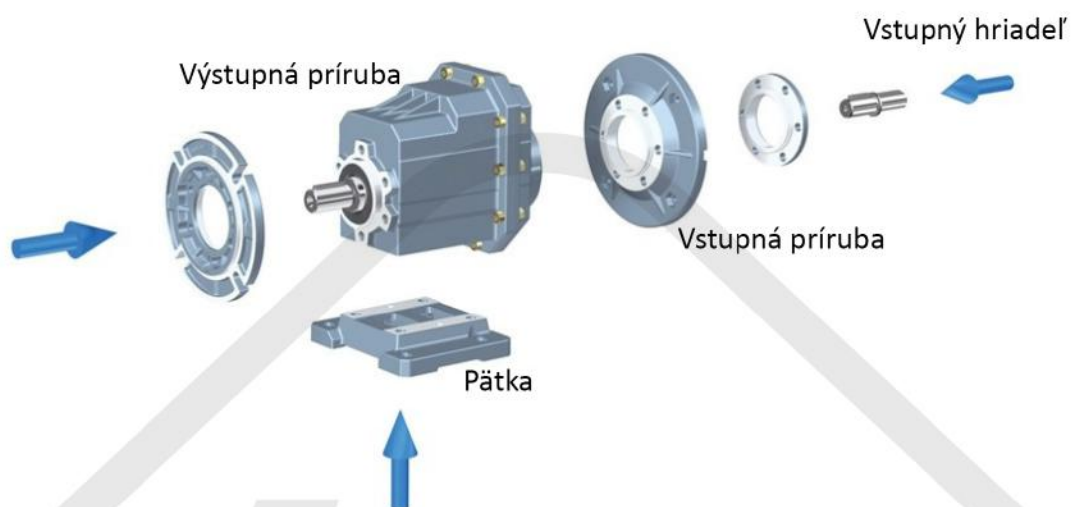
Electric s.r.o.



Tabuľka výberu prevodovky

P_{1n} [kW]	n_2 [r/min]	M_{2n} [Nm]	i	fs				
0.75	49.1	140	28.50	0.86	HG01	80B5/B14	80B5/B14	
	59.4	116	23.56	1.0	HGF01	80B5/B14	80B5/B14	
	70.6	97	19.83	1.2	HGZ01	80B5/B14	80B5/B14	
	78.4	88	17.86	1.1				
	95.8	72	14.62	1.7				
	101	68	13.80*	1.5				
	118	58	11.90	2.1				
	143	48	9.81	2.1				
	153	45	9.17	1.8				
	181	38	7.72	2.1				
	246	28	5.69	2.1				
	302	23	4.63	2.6				
	366	19	3.82	3.2				
1.1	70.6	143	19.83	0.84	HG01	90B5/B14	90B5/B14	
	78.4	129	17.86	0.78	HGF01	90B5/B14	90B5/B14	
	95.8	105	14.62	1.1	HGZ01	90B5/B14	90B5/B14	
	101	99	13.80*	1.0				
	118	86	11.90	1.4				
	143	71	9.81	1.4				
	153	66	9.17	1.2				
	181	56	7.72	1.4				
	246	41	5.69	1.5				
	302	33	4.63	1.8				
	366	28	3.82	2.2				
	285	35	9.81	2.8	HG01	80B5/B14	80B5/B14	
	305	33	9.17	2.4	HGF01	80B5/B14	80B5/B14	
	363	28	7.72	2.9	HGZ01	80B5/B14	80B5/B14	
	492	20	5.69	2.9				
	605	17	4.63	3.6				
	733	14	3.82	4.4				
	1.5	118	117	11.90	1.0	HG01	90B5/B14	90B5/B14
		143	96	9.81	1.0	HGF01	90B5/B14	90B5/B14
		153	90	9.17	0.9	HGZ01	90B5/B14	90B5/B14
181		76	7.72	1.1				
246		56	5.69	1.1				
302		45	4.63	1.3				
366		38	3.82	1.6				
305		45	9.17	1.8	HG01	90B5/B14	90B5/B14	
363		38	7.72	2.1	HGF01	90B5/B14	90B5/B14	
492		28	5.69	2.1	HGZ01	90B5/B14	90B5/B14	
605		23	4.63	2.6				
733		19	3.82	3.2				

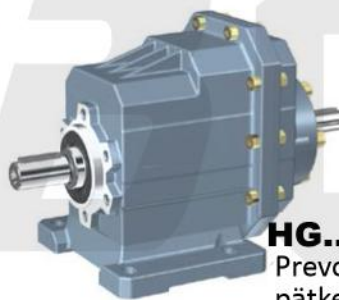
Štruktúra prevodovky



Modely



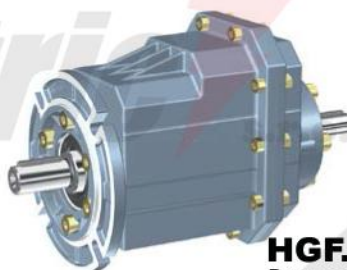
HG..P(IEC)
Prevodovka
s upevnením na pätke



HG..HS
Prevodovka s upevnením na
pätke a vstupom na hriadeľ



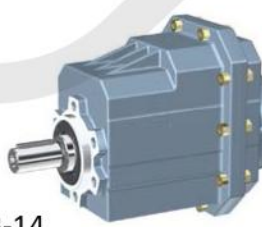
HGF..P(IEC)
Prevodovka s prírubou



HGF..HS
Prevodovka s prírubou a
vstupom na hriadeľ

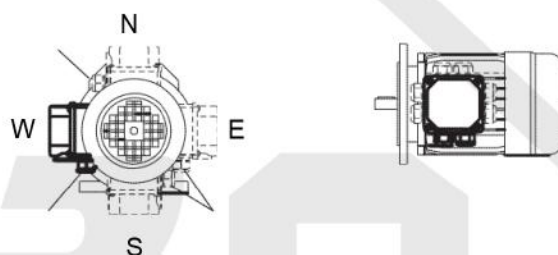
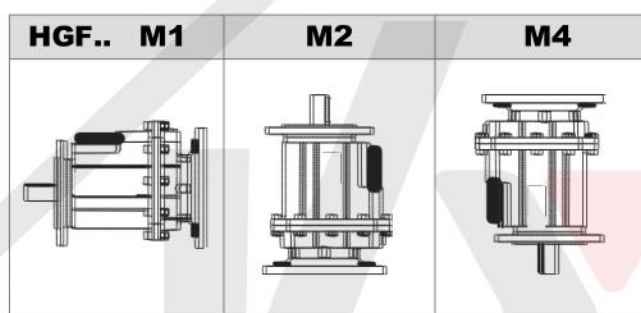
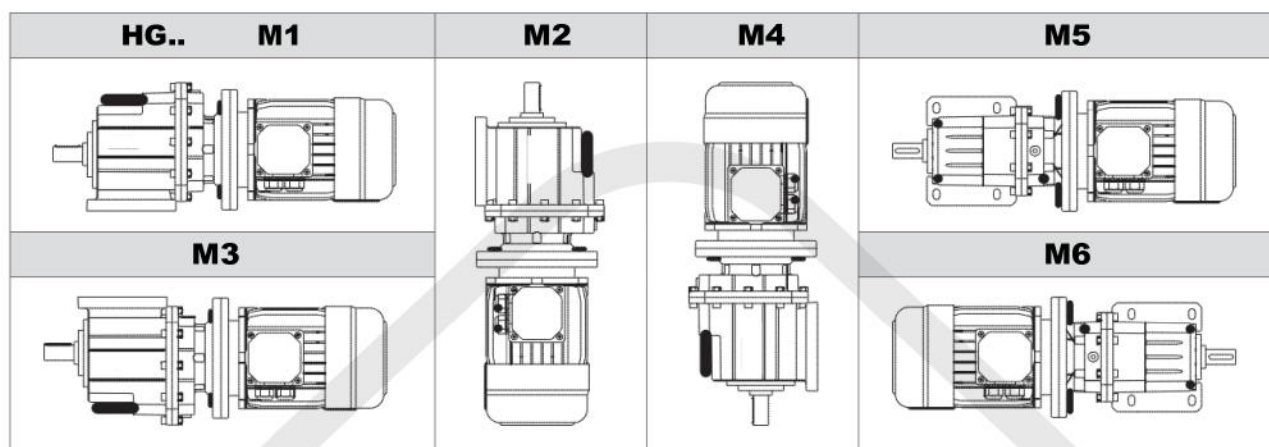


HGZ..P(IEC)
Prevodovka s prírubou B-14








HGZ..HS
Prevodovka s prírubou B-14
a vstupom na hriadeľ

Montážna poloha a orientácia svorkovnice



Mazanie

	 °C -50 0 +50 +100	 ISO	 SHELL	 MOBIL	 bp	TYP MAZANIA
HG..	标准 -10 +40 Standard	VG 220	Shell Omala 220	Mobilgear 630	BP GR-XP 220 BP Energol	Minerálny olej
	-20 +25	VG 150 VG 100	Shell Omala 100	Mobilgear 627	BP Energol GR-XP 100	
	-30 +10	VG 68-46 VG 32	Shell Tellus T 32	Mobil D.T.E. 13M		
	-40 -20	VG 22 VG 15	Shell Tellus T 15	Mobil D.T.E. 11M	BP Energol HLP-HM 15	
	-40 +80	VG 220	Shell Omala HD 220	Mobil SHC 630		Syntetický olej
	-40 +40	VG 150	Shell Omala HD 150	Mobil SHC 629		
	-40 +10	VG 32		Mobil SHC 624		