

**Electric motors**

# **2SR Series**

---

Powerful, efficient and flexible...

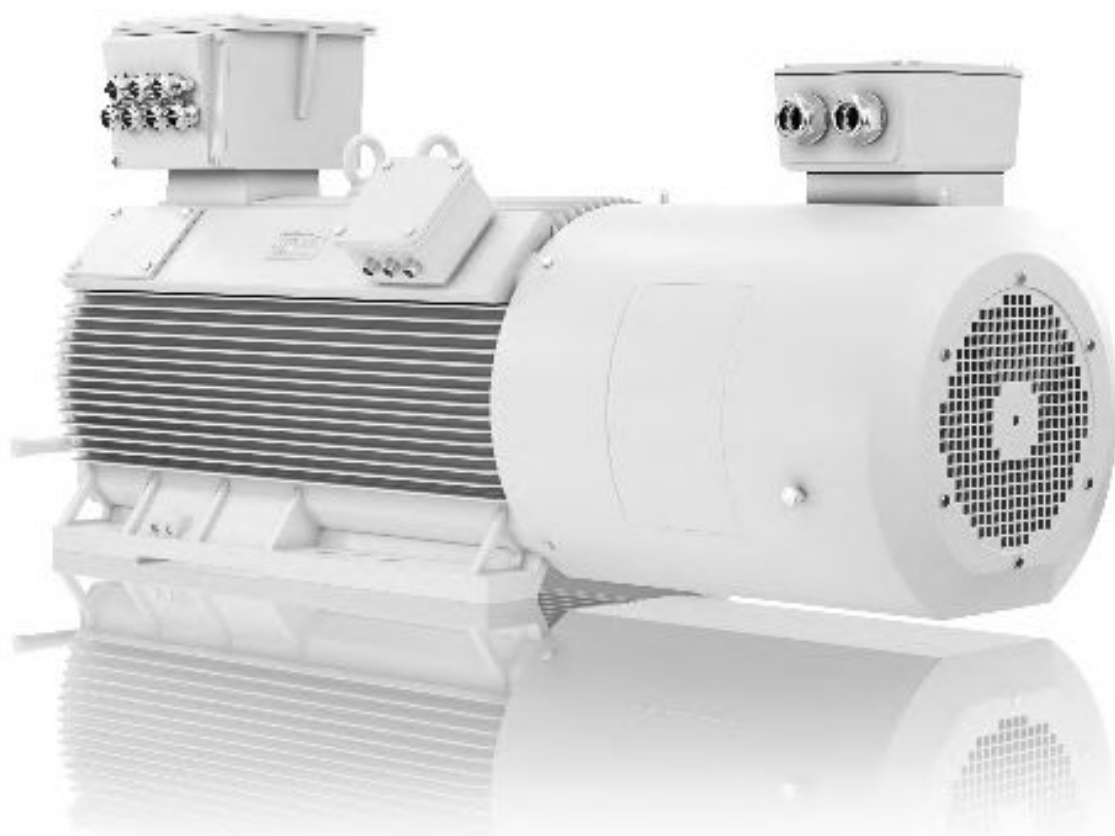
**Technical catalogue**



# Technical characteristics for 2SR series

Protection class	can reach IP55
Shell material	cast iron
Frame number range	H280 -400
Power range	30 - 500 KW
Ambient temperature	-20~+40°C
Altitude	below 1000 meters

- The rotor of the wound motor is a coil made of copper wire, and the end of the coil is led to the starting control device through the slip ring, so the wound motor has the characteristics of small starting current, controllable, and large starting torque;
- The motor frame and the collector ring cover adopt a split structure and have a maintenance window, which is convenient for the daily maintenance use of the motor;
- Environmental place: no flammable gas, no dust place.



# Quality management and certificates



VYBO Electric is a modern High-tech energy saving company that pays high attention to quality, environment, safety and precision and efficiency of work and energy in production. Therefore, it holds a lot of certificates and quality control systems. **Our priority is quality control.**

## Basic certificates include:

### ISO9001

The primary task of the ISO 9001 standard is to focus on system management and quality management in the organization. The satisfaction of the customer and the fulfillment of his requirements, which are specified in contracts, orders, or technical drawings, are in the first place. The quality management system is linked to all processes in the company. The standard focuses on the management of human and financial resources, on the stability of infrastructure, including buildings, transport, hardware, software and other communication or information technologies. An important part is also the planning of production and services, the management of the purchasing process, but also the management of non-conforming products.



### ISO14001

The main priority of the ISO 14001 standard is to identify and understand the environmental aspects and activities that are related to the entire infrastructure of the company and, based on this, to regulate the environmental impact on the environment.

In its scope, the ISO 14001 standard creates the conditions for determining environmental goals and plans, the fulfillment of which is examined at regular intervals by top management and also by an independent body during internal audits.

This standard is intended for all organizations and companies that consider environmental protection as their primary goal.

The benefit of the standard for society is mainly:

- control over the environmental impact on the environment
- control over produced emissions and waste
- saving material and energy
- prevention of accidents
- compliance of the company's activities with legal requirements
- zero fines for environmental behavior
- creation of a good reputation and prestige of the company





## The ISO 45001

Specification (formerly known as OHSAS 18001) is an internationally recognized standard that declares compliance with the principles of a safe enterprise, managing risks at work and protecting the health of workers during work. It does not only concern danger and accidents, but also emphasizes other aspects such as the good condition and mental well-being of the employee.

The certificate is held in Slovakia as STN ISO 45001:2019 and is under the title Management systems of safety and health protection at work. Requirements with guidance for use. It replaces the STN OHSAS 18001 standard.



## ISO50001

Energy management systems Energy efficiency help organizations save money, save energy resources and also help to prevent climate change. ISO 50001 encourages organizations in all sectors to use energy more efficiently through the development of an energy management system. The international standard ISO 50001: 2011 specifies the requirements for building, maintaining and improving the energy system. It aims to enable organizations to implement a systematic approach that will help achieve lasting improvements in energy efficiency, energy use and consumption.

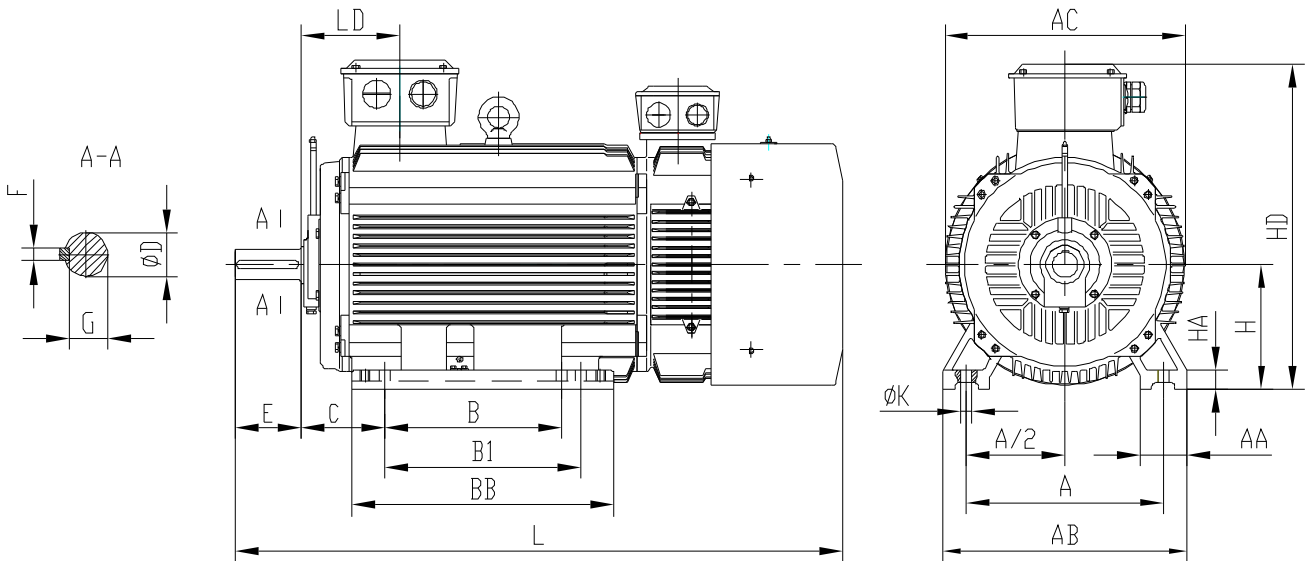


# Technical data 2SR

Motor type	Rated Power	Current	Rated Speed	Efficiency	Power Factor	Rotor		Torque		Approx WT
	KW	A	r/min	$\eta$	$\cos \Phi$	Voltage V	Current A	Locked torque kg-m	Maximum %FLT	Kg
2SR-280S0-04P	55	98	1480	91	0,89	291	118	36	300	670
2SR-280M0-04P	75	134	1480	92	0,88	397	116	49	300	740
2SR-280S0-06P	37	68	985	92	0,86	259	88	37	300	605
2SR-280M0-06P	45	83	985	92	0,85	300	92	45	300	640
2SR-280S0-08P	30	65	735	91	0,73	215	85	40	300	600
2SR-280M0-08P	37	80	735	91	0,73	261	87	49	300	640
2SR-315S0-04P	90	159	1480	93	0,88	215	260	59	260	980
2SR-315M0-04P	110	193	1485	93,5	0,88	412	162	72	320	1090
2SR-315L1-04P	132	230	1485	94	0,88	496	160	87	320	1200
2SR-315L2-04P	160	281	1485	94,5	0,87	620	155	105	320	1250
2SR-315S0-06P	75	138	990	93,2	0,84	298	153	74	260	1025
2SR-315M0-06P	90	163	990	93,5	0,85	225	245	89	260	1100
2SR-315L0-06P	110	199	990	94	0,85	448	148	108	260	1200
2SR-315S0-08P	55	107	740	92,5	0,8	265	125	72	260	965
2SR-315M0-08P	75	144	740	92,8	0,81	315	145	99	260	1040
2SR-315L0-08P	90	172	740	93,2	0,81	385	140	119	260	1130
2SR-355M0-04P	200	345	1485	95	0,88	492	248	131	300	1910
2SR-355L1-04P	250	431	1485	95,2	0,88	573	265	164	300	1995
2SR-355L2-04P	280	482	1485	95,3	0,88	625	272	184	300	2040
2SR-355M1-06P	132	238	990	94	0,85	227	353	130	260	1750
2SR-355M2-06P	160	288	990	94,2	0,85	365	265	157	260	1830
2SR-355L0-06P	200	359	990	94,5	0,85	420	290	197	260	1930
2SR-355M0-08P	110	207	740	93,5	0,82	385	175	145	260	1860
2SR-355L1-08P	132	248	740	93,8	0,82	495	160	174	260	1950
2SR-355L2-08P	160	300	740	94	0,82	575	165	211	260	2030
2SR-400F1-04P	355	623	1485	94,6	0,87	510	425	233	250	3400
2SR-400F2-04P	400	700	1485	94,8	0,87	572	425	262	260	3470
2SR-400F3-04P	450	786	1485	95	0,87	652	416	295	260	3580
2SR-400F4-04P	500	872	1485	95,1	0,87	655	464	328	270	3680
2SR-400F1-06P	280	509	990	94,5	0,84	558	308	276	240	3530
2SR-400F2-06P	315	572	990	94,6	0,84	627	306	310	240	3620
2SR-400F3-06P	355	644	990	94,7	0,84	719	301	349	240	3725
2SR-400F4-06P	400	724	990	94,9	0,84	774	315	394	240	3830
2SR-400F5-06P	450	814	990	95	0,84	912	298	443	250	3950



# Technical data 2SR



Mounting dimensions and tolerance

Frame size	Pole	A	B	B1	C	D	E	F	G	H	K
280S	4-8	457±1.5	368±1.4	—	190±4	75 <sup>+0.030</sup> <sub>+0.011</sub>	140±0.5	20 <sup>0</sup> <sub>-0.052</sub>	67,5 <sup>0</sup> <sub>-0.2</sub>	280 <sup>0</sup> <sub>-1</sub>	24 <sup>+0.52</sup> <sub>0</sub>
280M	4-8	457±1.5	419±1.5	—	190±4	75 <sup>+0.030</sup> <sub>+0.011</sub>	140±0.5	20 <sup>0</sup> <sub>-0.052</sub>	67,5 <sup>0</sup> <sub>-0.2</sub>	280 <sup>0</sup> <sub>-1</sub>	24 <sup>+0.52</sup> <sub>0</sub>
315S	4-8	508±1.5	406±1.5	—	216±4	80 <sup>+0.030</sup> <sub>+0.011</sub>	170±0.5	22 <sup>0</sup> <sub>-0.052</sub>	71 <sup>0</sup> <sub>-0.2</sub>	315 <sup>0</sup> <sub>-1</sub>	28 <sup>+0.52</sup> <sub>0</sub>
315M,L	4-8	508±1.5	457±1.5	508±1.5	216±4	80 <sup>+0.030</sup> <sub>+0.011</sub>	170±0.5	22 <sup>0</sup> <sub>-0.052</sub>	71 <sup>0</sup> <sub>-0.2</sub>	315 <sup>0</sup> <sub>-1</sub>	28 <sup>+0.52</sup> <sub>0</sub>
355M,L	4-8	610±1.6	560±1.5	630±1.6	254±4	100 <sup>+0.035</sup> <sub>+0.013</sub>	210±0.57	28 <sup>0</sup> <sub>-0.052</sub>	90 <sup>0</sup> <sub>-0.2</sub>	355 <sup>0</sup> <sub>-1</sub>	28 <sup>+0.52</sup> <sub>0</sub>
400	4-8	686±1.6	630±1.6	710±1.6	280±4	110 <sup>0.035</sup> <sub>-0.013</sub>	210±0.57	28 <sup>0</sup> <sub>-0.052</sub>	100 <sup>0</sup> <sub>-0.2</sub>	400 <sup>0</sup> <sub>-1</sub>	35 <sup>0.052</sup> <sub>0</sub>

Outline dimensions

Frame size	Pole	AA	AB	AC	BB	HA	HD	LD	L
280S	4-8	85	545	550	490	35	685	215	1255
280M	4-8	85	545	550	540	35	685	215	1305
315S	4-8	120	630	625	680	48	845	257	1465
315M,L	4-8	120	630	625	680	48	845	257	1575
355M,L	4-8	116	730	710	750	52	965	284	1860
400	4-8	120	810	870	1090	45	1123	362	2350







## Address

VYBO ELECTRIC a. s. | tel: +421 944 105 361  
Radlinského 18 | e-mail: mv@vyboelectric.eu  
052 01 Spišská Nová Ves  
Slovenská republika

[www.vyboelectric.com](http://www.vyboelectric.com)



SOLUTIONS FOR INDUSTRY

BUREAU VERITAS  
Certification



**VYBO Electric a.s.**  
Radlinského 18, 052 01 Spišská Nová Ves  
Slovak Republic

Bureau Veritas Certification Holding SAS – UK Branch certifies that the Management System of the above organisation has been audited and found to be in accordance with the requirements of the management system standards detailed below

### ISO 14001: 2015

Scope of certification

**MANUFACTURE AND SALE OF ELECTRIC MOTORS, SALES AND DEVELOPMENT OF VARIABLE FREQUENCY DRIVES.**

Original cycle start date: 18.05.2022  
Expiry date of previous cycle: N/A  
Certification Audit date: 31.03.2022  
Certification cycle start date: 18.05.2022

Subject to the continued satisfactory operation of the organization's Management System, this certificate expires on: 17.05.2025

Certificate No. SK-U22 055E Version: 1 Issue date: 18.05.2022

Certification body address: 5<sup>th</sup> Floor, 86 Prescott Street, London E1 8HG, United Kingdom  
Local office: Plynárska 7/B, BRATISLAVA 821 09, Slovak Republic



Further clarifications regarding the scope of this certificate and the applicability of the management system requirements may be obtained by consulting the organisation. To check this certificate validity please call: +421 2 2341 4165

Page 1 of 1



Bureau Veritas Certification

### Certificate

Awarded to

**VYBO Electric a.s.**  
Radlinského 18, 052 01 Spišská Nová Ves  
Slovak Republic

BUREAU VERITAS CERTIFICATION (Z) s.r.o. certifies that the Management System of the above organisation has been assessed and found to be in accordance with the requirements of the management system standard detailed below

Standard

### ISO 45001:2018

Scope of supply

**MANUFACTURE AND SALE OF ELECTRIC MOTORS, SALES AND DEVELOPMENT OF VARIABLE FREQUENCY DRIVES.**

Original Approval Date: 18-05-2022  
Expiry date of previous cycle: N/A  
Certification Cycle Start Date: 18-05-2022  
Certification Cycle End Date: 17-05-2025  
Subject to the continued satisfactory operation of the organisation's Management System, this certificate is valid until: 17-05-2025

To check this certificate validity please call: +420 210 090 215

Further clarifications regarding the scope of this certificate and the applicability of the management system requirements may be obtained by consulting the organisation.

Version 1 Issue Date: 18-05-2022

Certificate Number: CZF - 2206117

ISSUING OFFICE ADDRESS: BUREAU VERITAS CERTIFICATION CZ, s.r.o., Obchodní 1, 143 02 Praha 4, Czech Republic

1/1

ZERTIFIKAT ◆ CERTIFICATE ◆ 認證證書 ◆ CERTIFICADO ◆ CERTIFICAT



# CERTIFICATE

**TÜV SÜD Slovakia s.r.o.**  
Certification Body for Management Systems  
Accredited by SNAS  
Certificate on accreditation No. Q-011  
certifies that



**VYBO Electric a.s.**  
Radlinského 18  
SK – 052 01 Spišská Nová Ves  
ICO: 45 537 143

has established and applies  
a Quality Management System for

**Manufacture and sale of electric motors.  
Sales and development of variable frequency drives.**

An audit was performed, Report No. 2264/40/22/Q/AS/C  
Proof has been furnished that the requirements  
according to

### STN EN ISO 9001:2016

are fulfilled. The certificate is valid from 2022-04-14 until 2025-04-13  
Certificate Registration No. Q 2264-1

Bratislava, 2022-04-14

TÜV SÜD Slovakia s.r.o.  
Certification Body for Management Systems  
Member of Group TÜV SÜD  
Jaskovka 6, 821 03 Bratislava

F-Q-019/26

Certificate SK22/3701

The management system of

**VYBO Electric a.s.**  
Radlinského 18  
052 01 Spišská Nová Ves, Slovakia

has been assessed and certified as meeting the requirements of

### EN ISO 50001:2018

For the following activities

**Production & sales of electric motors.  
Sales & development of variable frequency drives.**

Further clarifications regarding the scope of this certificate and the applicability of EN ISO 50001:2018 requirements may be obtained by consulting the organisation.

This certificate is valid from 7 April 2022 until 6 April 2025  
and remains valid subject to satisfactory surveillance audits.  
Recertification audit due a minimum of 60 days  
before the expiration date.  
Issue 1. Certified with SGS since 7 April 2022

Authorised by

Ing. Róbert Bodnár  
Director

SGS Slovakia spol. s r. o.  
Klyučská 14, 040 11 Košice, Slovakia  
t +421 55 783 61 11, f +421 55 783 61 20, www.sgs.com

Page 1 of 1



This document is issued by the Company subject to its General Conditions of Certification. Services accessible at [www.sgs.com](http://www.sgs.com) and conditions. Attention is drawn to the limitations of liability, indemnification and jurisdictional issues established therein. The authenticity of this document may be verified at <http://www.sgs.com/certificates/certificate>. Any unauthorised alteration, forgery or falsification of the content or appearance of this document is unlawful and offences may be prosecuted to the fullest extent of the law.